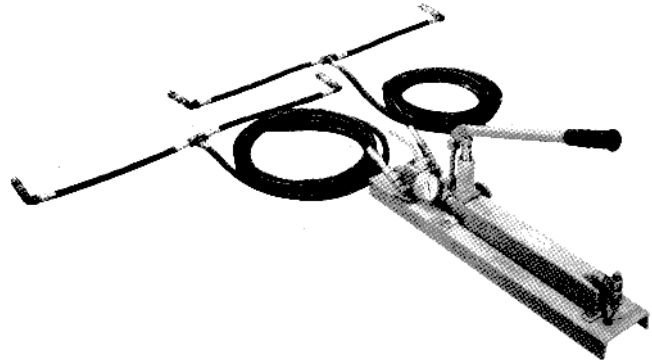


HYDRAULIC HAND PUMP

Bowen Hydraulic Hand Pump Assemblies are designed and manufactured for use in operating many different types of equipment, such as stuffing boxes, line wipers, control heads and blowout preventers; Pipe stuffing boxes, telescoping lubricators, tool breakdown jacks, hydraulic test stands, tool traps and other similar equipment.



Use of these Hand Pump Assemblies allows for remote operation of equipment with safety and convenience. For certain operations, this safety and convenience is almost mandatory; for example, when operating line wipers, located high above a well head, or a blowout preventer, located in a dangerously slippery and muddy cellar.

The variations from basic composition are dictated by intended use. For some purposes a pressure gage is required; for others, a 4-way valve and two hose; for still others, greater pressure or greater volume is desirable.

Specifications

Special Quick Union Pump-In-Sub Assembly

Working Pressure: 10,000 psi

Service: H2S

Size: 3 1/2" with 11-1/2"- 4thd (8.250" seal dia.)

Otis quick unions top and 12.95 lbs/ft Hydrill PH-6 pin bottom with thread protector and (1) 2"-WECO 1502 Side Port with Blanking Plug with 1/2" FNPT port (Plugged) and collar

Length of pressure hoses for the Hand Pump depends on application but a minimum of 50' x 2.